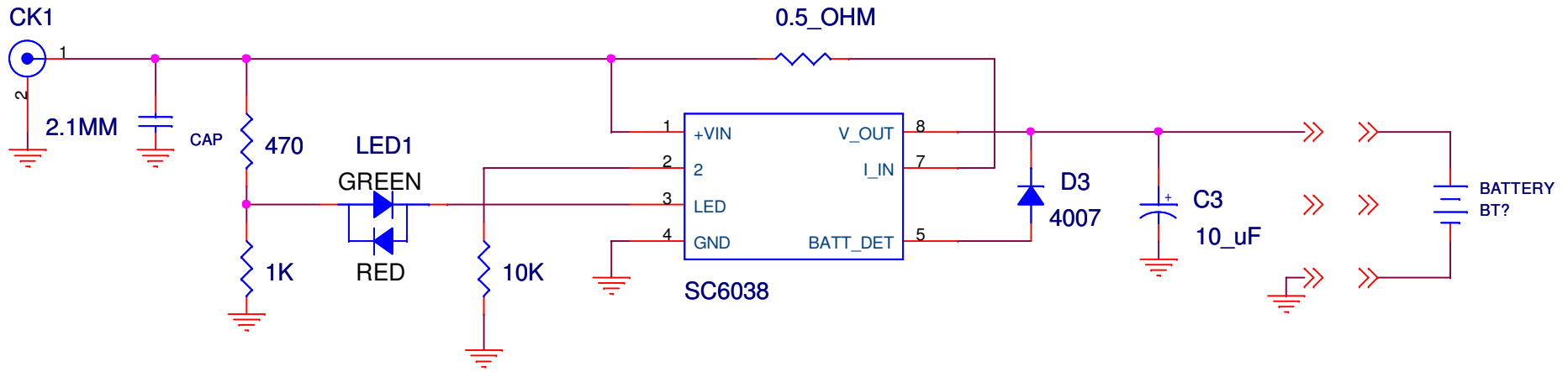


Input Voltage 10V



Output Voltage and Current Readings

Volt	mA	LED	
8.24	0	Flashing	No Load
7.93	350	Red	Discharged battery charging
8.14	375	Red	Battery charging
8.34	350	Red	Battery charging
8.36	250	Red	Battery charging
8.35	125	Red	Battery charging
8.27	0	Green	Charged battery

When battery reaches 8.36V, voltage and current start decreasing.

SC6038 is made by Suncore Microelectronics Co., Ltd  
<http://www.scsuncore.com/aspcms/product/2011-8-3/43.html>  
 Chinese description says 9-18V in, 8.4V out

Assumed SC6038 Pin Functions

Pin	Function
1	Input power for IC
2	??
3	LED Drive Low=Green
5	Reverse Battery Detect
6	No Connect
7	Input current for battery
8	Output current to battery