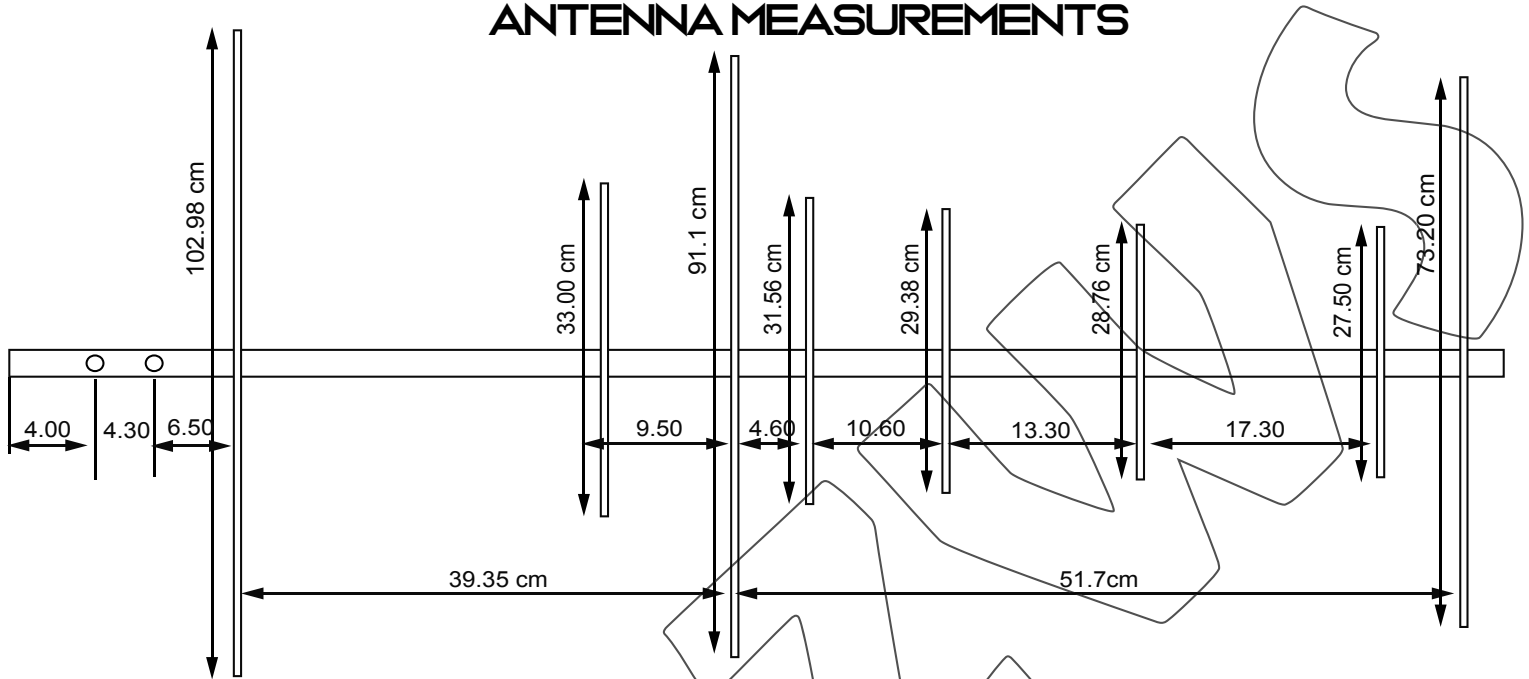


# DUALBAND 3X5 CROSS YAGI 145 MHZ - 435 MHZ CENTER FREQUENCY

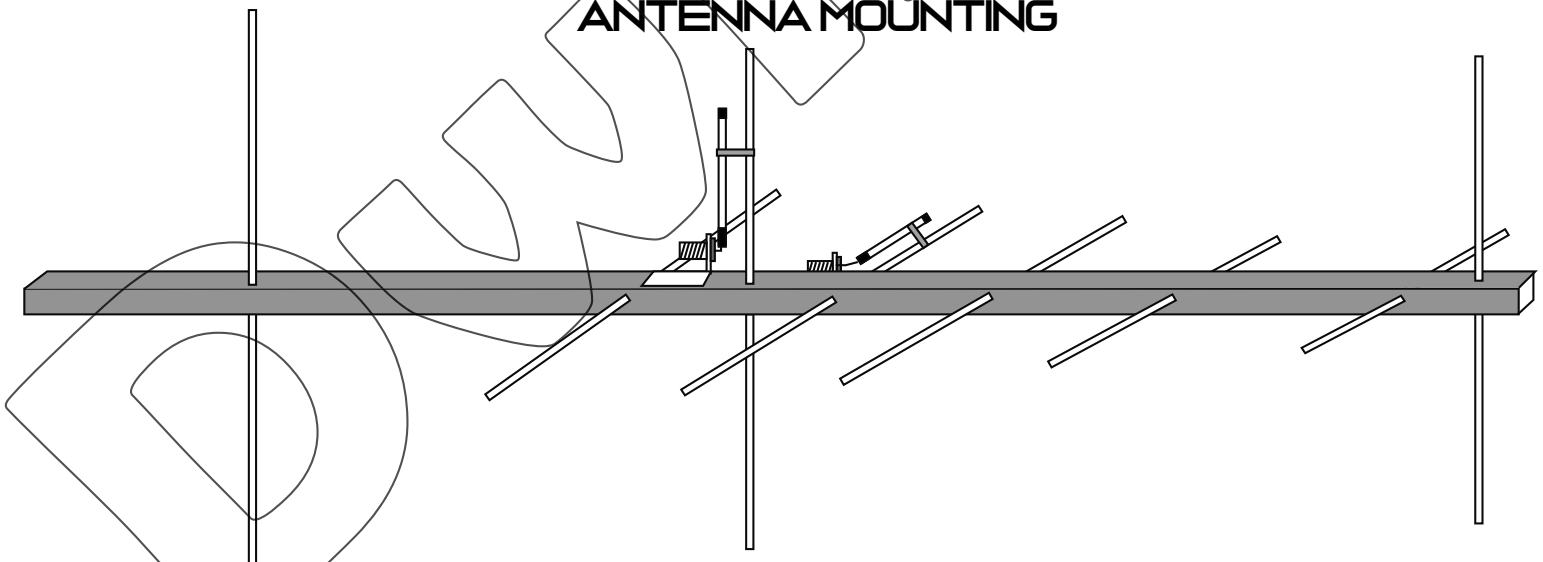
For those folks who find it cool to look at the design of the cross yagi. Inline version mounted on the opposite side of the boom will also work the same ;).

## ANTENNA MEASUREMENTS



Measurements are all in centimeters. You may adjust the handle measurements depending on your preference for comfortable hold. The design is similar to the inline version of this yagi but mounted on the opposite side of the boom.

## ANTENNA MOUNTING



Elements mounting are through hole. Elements are fastened with a screw drilled at the center of the boom screw is chosen as to touch the wall of the boom but does not penetrate the opposite side for cleaner look. Antenna feed point is dual connected by a  $1/4\lambda$  phasing harness 75ohms optimize for the VHF center frequency 145 Mhz - UHF side is complimentary  $3/2\lambda$  at 435 Mhz. The length of the phasing harness is equal + consider the velocity factor.

Design measurements are optimized using 4NEC2 antenna modelling software.

Visit us @ <https://dw1zws.com>