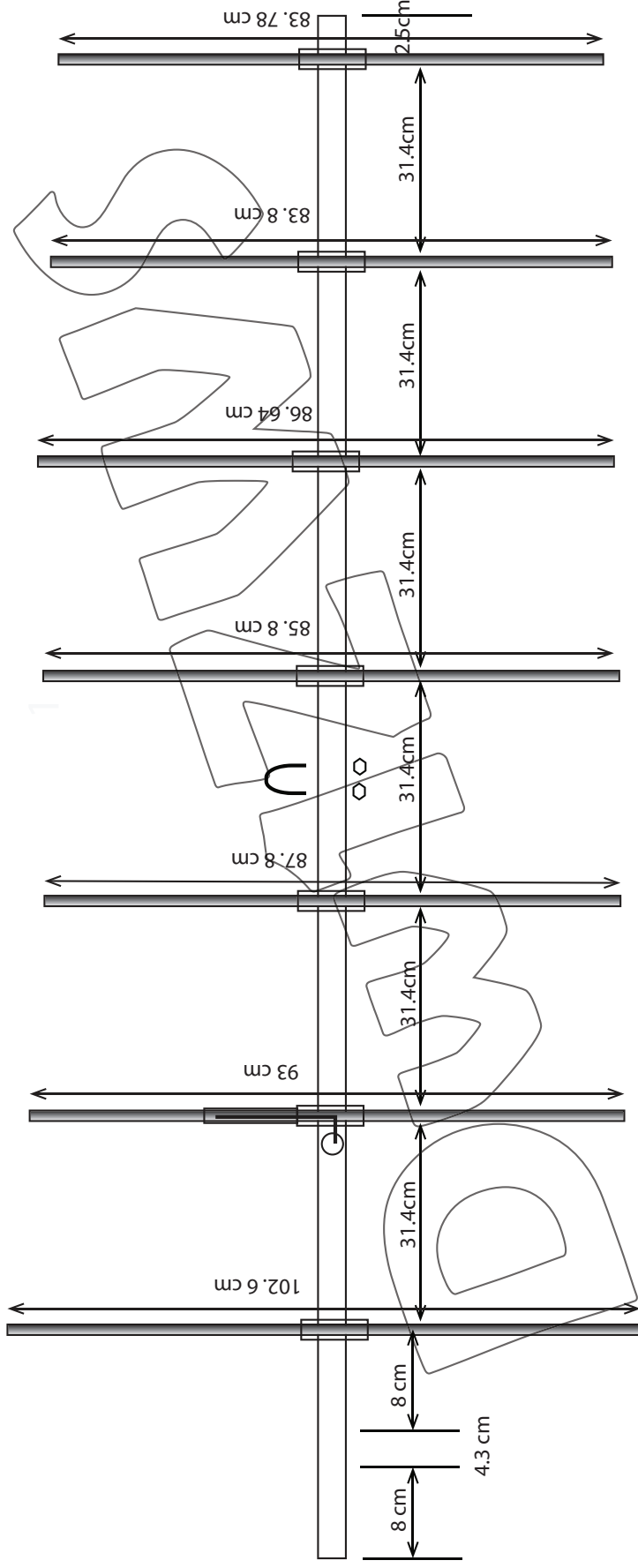


7 Elements Yagi Antenna @146Mhz measurements build



Materials:

- 1x1/2 aluminum tube
- 1/2 aluminum tube cut 5.08 cm long and cut in half for elements holder
- 3/8 aluminum tube for elements
- 1pc so239 connector
- #12AWG copper wire for gamma match
- Pop riverts / Rivet tool
- 14pcs 20mm length 3mm diameter bolts and nuts M3
- 1 butterfly nut and bolt 18mm length 3mm diameter M3
- Aluminum plate 0.5mm thickness for tuning stub
- Shrinkable tubes

Drawing is not to scale

visit us @ <https://www.dw1zws.com>